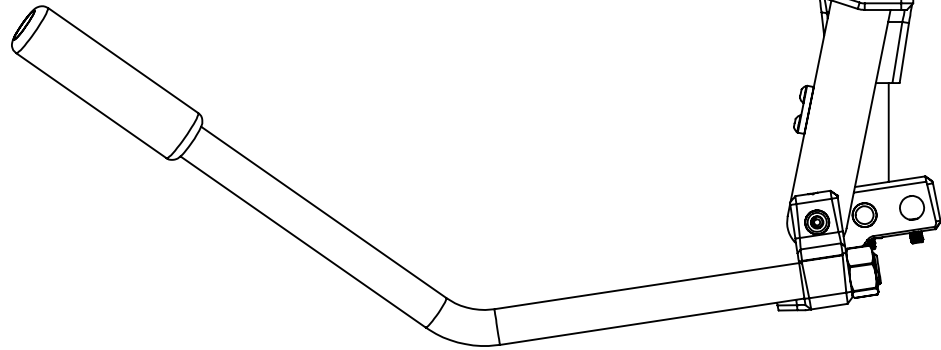
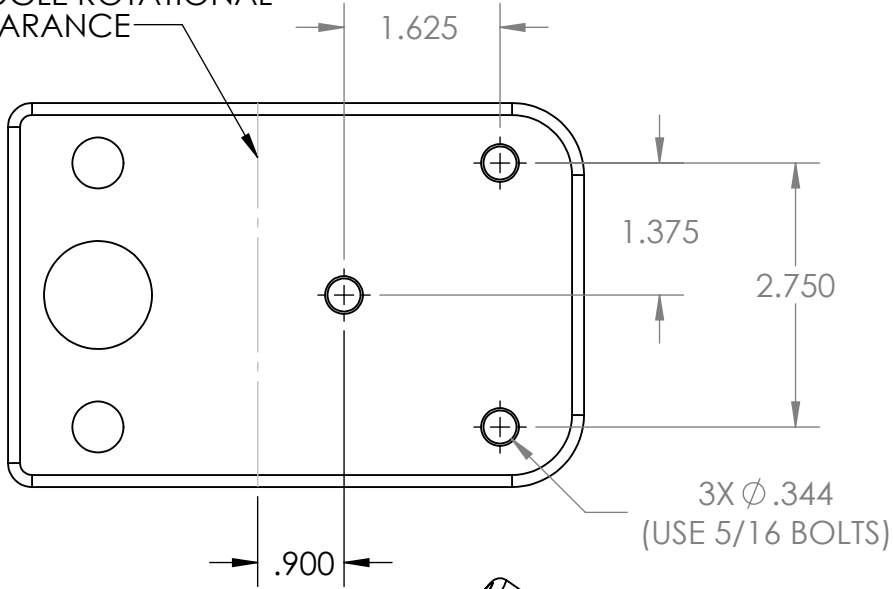


TOGGLE ROTATIONAL CLEARANCE



3.40

MAKE SURE TO HAVE CLEARANCE FOR ROTATING TOGGLE.

DO NOT INSTALL THE PRESS ANY CLOSER TO A SOLID VERTICAL SURFACE

UNLESS OTHERWISE SPECIFIED:
 DIMENSIONS ARE IN INCHES TOLERANCES:
 FRACTIONAL \pm 1/2 DEGREE
 ANGULAR: MACH \pm 1 BEND \pm 1
 TWO PLACE DECIMAL \pm .010
 THREE PLACE DECIMAL \pm .005
 FOUR PLACE DECIMAL \pm .0005
 SURFACE FINISH = $\sqrt{32}$ OR BETTER

PROPRIETARY AND CONFIDENTIAL
 THE INFORMATION CONTAINED IN THIS DRAWING IS THE SOLE PROPERTY OF CORBIN MFG & SUPPLY, INC. ANY REPRODUCTION IN PART OR AS A WHOLE WITHOUT THE WRITTEN PERMISSION OF CORBIN MFG & SUPPLY, INC IS PROHIBITED.

	NAME	DATE
DRAWN		
CHECKED		
ENG APPR.		
MFG APPR.		
Q.A.		
COMMENTS:		

CORBIN MFG & SUPPLY, INC.		
TITLE: CORBIN S-PRESS MOUNTING HOLE DIMENSIONS		
SIZE A	DWG. NO.	REV
SCALE: 1:2	WEIGHT:	SHEET 1 OF 1